



**CLEAN OIL
BRIGHT IDEAS**

Diesel Fuel Fishing Vessel - Diesel Engine

CJC™ Application Study

Application Study
written by:

Bryan Holden
C.C.JENSEN Ltd.
United Kingdom

2001

CUSTOMER

Vessel: "Natalie B"
Shipowner: Hatton & Westerman
Region: Isle of Man
Contact persons: Mr. Steve Hatton and Mr. Jim Westerman

THE SYSTEM

Deutz diesel engine, type KHD 650 HP

THE PROBLEM

After experiencing a number of engine breakdowns relating to fuel contamination Mr. Jim Westerman decided to fit a CJC™ Filter Separator for the fuel oil.

THE SOLUTION

A CJC™ Filter Separator PTU2 27/27 P with pump flow rate of 120 ltr/hr using CJC™ Filter Insert F 27/27 (3 µm absolute).

The function of the filter separator is to remove water and particle contamination from the fuel.

THE RESULT

Since the installation of the CJC™ Filter Separator Steve Hatton and Jim Westerman have not experienced any engine breakdowns.

Due to the success with the filter separator for the fuel oil Hatton & Westerman have also purchased a CJC™ HDU Fine Filter for the engine lube oil and a CJC™ HDU 15/25 for a hydraulic system.

After all three installations had been in operation for more than 18 months, no breakdowns had been experienced with any of the systems.

COMMENTS

Owner Mr. Jim Westerman:
"The fuel has never been so clean" and "It is as good as red wine".



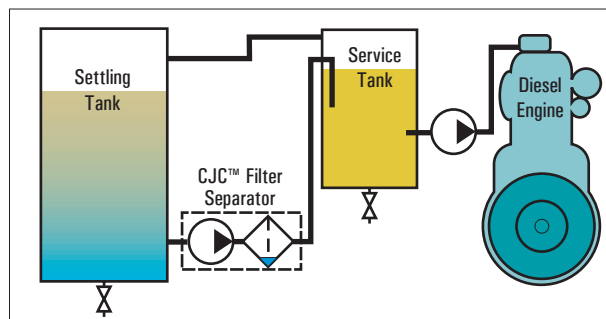
"Natalie B"



*PTU2 27/27 P
for gas oil separation*



*HDU 27/54 P
for lube oil treatment*



*Installation principle for CJC™ Filter Separators
in marine diesel fuel systems.*